



Modern - Shower arm with shower head and hand shower

Codice kit: 5700 DDI-090

Shower arm with shower head, hand shower and built-in mixer – 2 exits

Componenti



Wall-mounted arm

Cod: 5700BR01A00

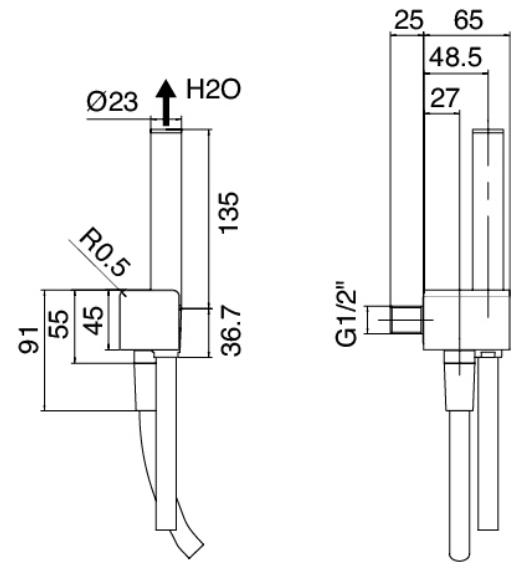
Shower head arm 330mm



Stand alone hand shower

Cod: 5700Q419A00

Handshower set, with POP handshower with water outlet and support



Single-lever mixer

Cod: 5700A401A00

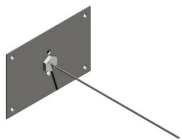
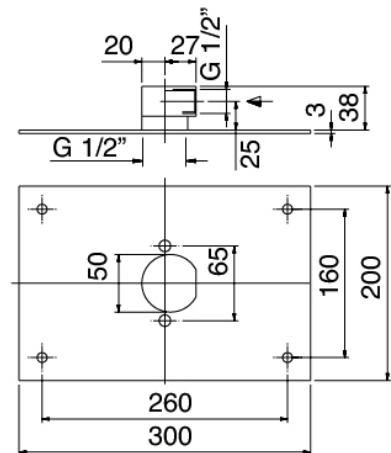
Concealed shower mixer with diverter - external part



Untreated finish part

Cod: 5700B401A00

Concealed shower mixer with diverter - concealed part



Fixing plate

Cod: 2900B108A00

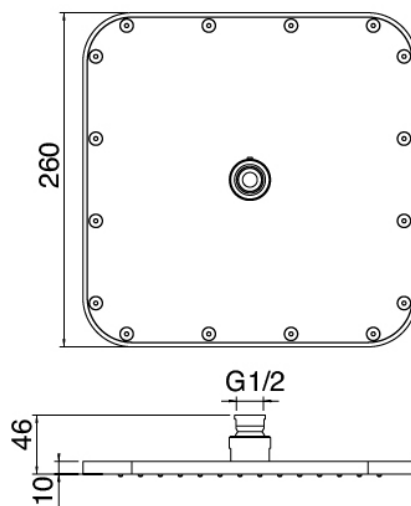
Fixing plate for ceiling and wall mtd. shower arm



Shower head

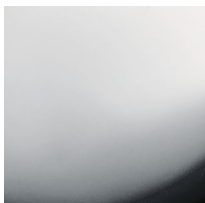
Cod: 3500SO01A00

Anti-limescale showerhead 220 X 220mm -
INSPECTABLE



Finiture disponibili:

finiture speciali su richiesta salvo quantitativi minimi di ordine garantiti



cromo

CRCR



acciaio spazzolato

ASAS