

## Classic - Sliding bar with hand shower

---

Codice kit: 2000 ADI-060

Sliding bar with hand shower and built-in mixer – 1 exit

## Componenti

---



### Sliding bar

---

Cod: 2000A414A00

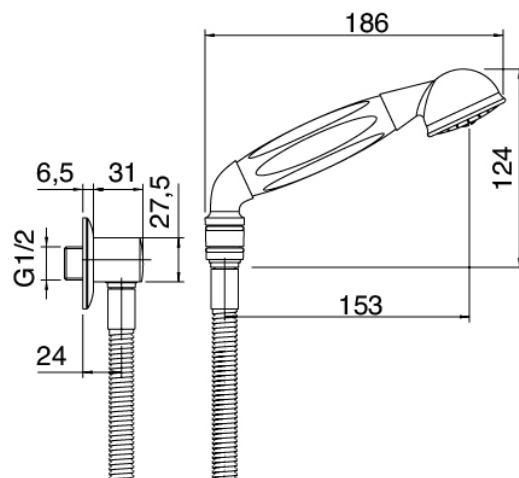
Sliding bar for hand shower



### Hand shower

Cod: 2000Q417A00

Handshower set with water-outlet for sliding bar



### Single-lever mixer

Cod: 5102B402A00

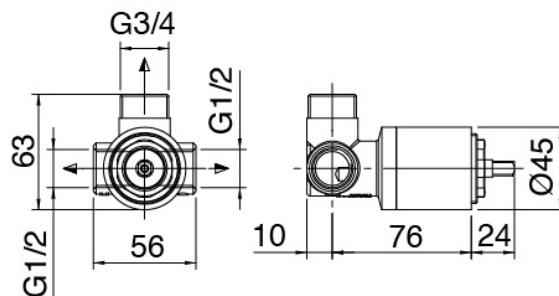
Concealed shower mixer - external part



### Concealed part

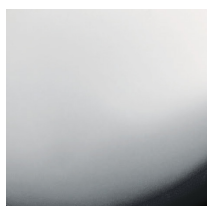
Cod: 2900A402A00

Concealed shower mixer - concealed part



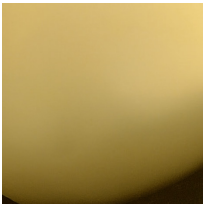
### Finiture disponibili:

finiture speciali su richiesta salvo quantitativi minimi di ordine garantiti



cromo

CRCR



nichel satinato

NSNS

oro lucido

LULU

ottone lucido

OLOL

brunito

BRBR

cromo

CRCR

oro lucido

LULU