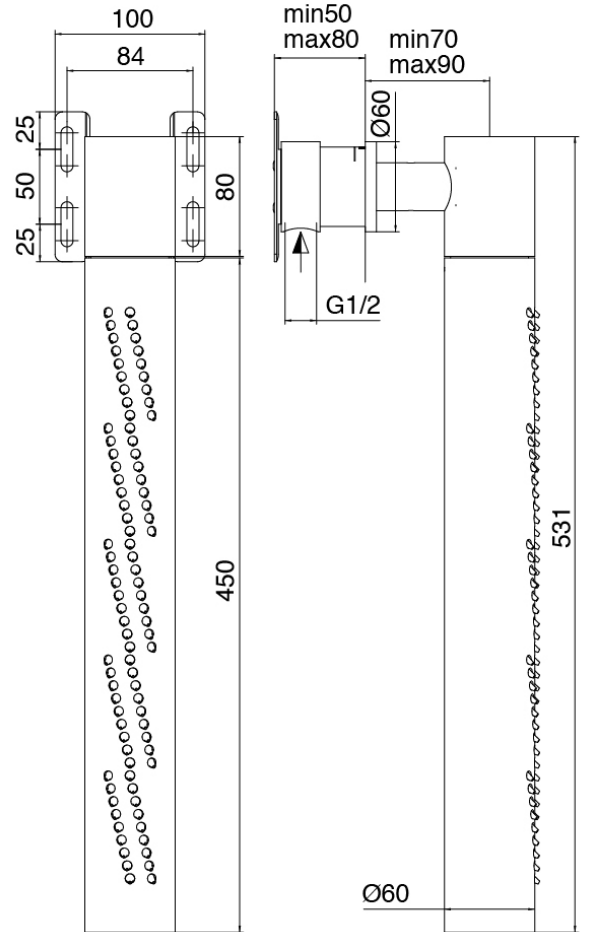




Concealed part

Cod: 3300B120A00

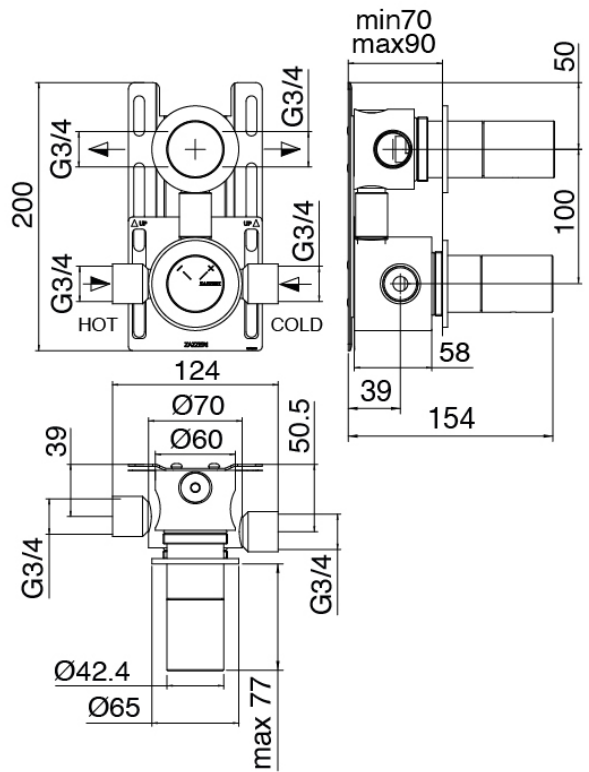
Vertical/Horizontal tubular wall-mounted showerhead - Built-in part

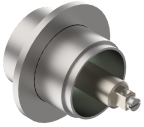


Concealed part

Cod: 33000801A00

1-way concealed thermostatic mixer - concealed parts

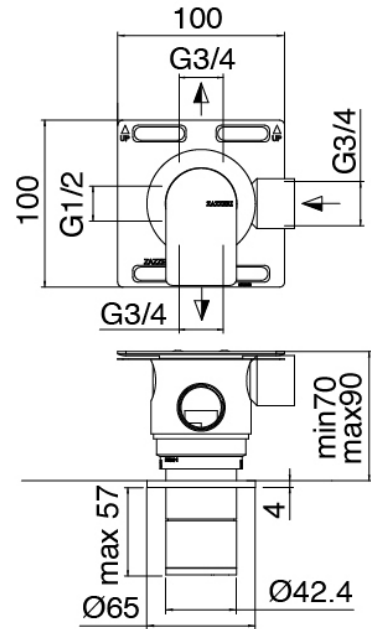




In-line concealed valves

Cod: 3305Y407AA0

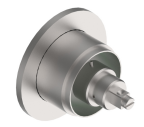
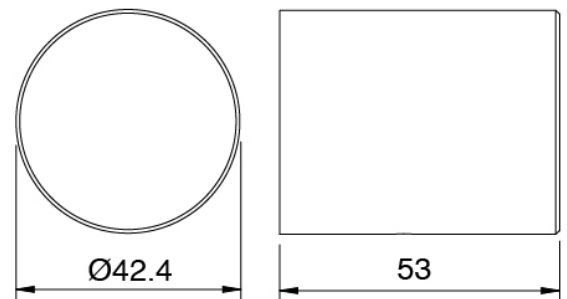
In-line concealed valves - external parts



Handle

Cod: 3305MA05A00

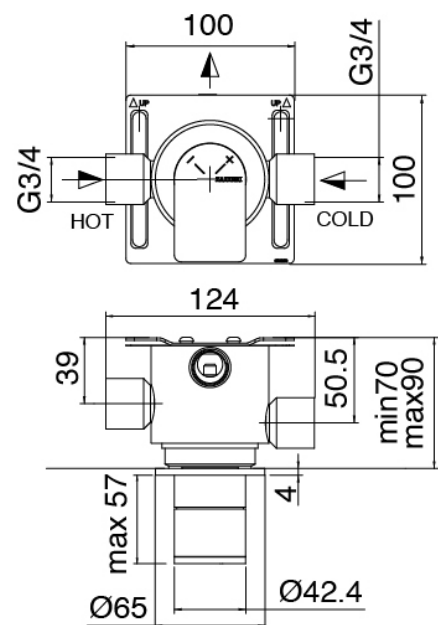
HANDLE MA05 Handle for 2/3 ways diverter/valve



Thermostatic control

Cod: 3305T550AA0

Concealed thermostatic mixer - external parts

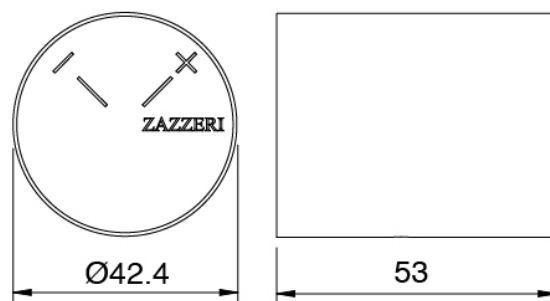




Handle

Cod: 3305MA06A00

HANDLE MA06 Handle for thermostatic unit



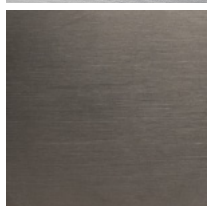
Finiture disponibili:

finiture speciali su richiesta salvo quantitativi minimi di ordine garantiti



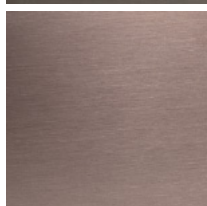
brush steel

ASAS



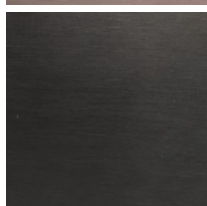
antracite

APAP



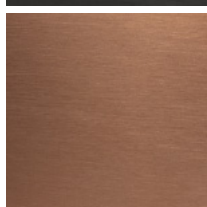
bronzorame

BPBP



carbon

KPKP



rame

RPRP



cognac

CPCP



orobianco

GPGP