

Modern - Built-in shower set

Codice kit: 3300 UDI-130

Concealed shower mixer with vertical tubular revolving showerhead with Flyfall

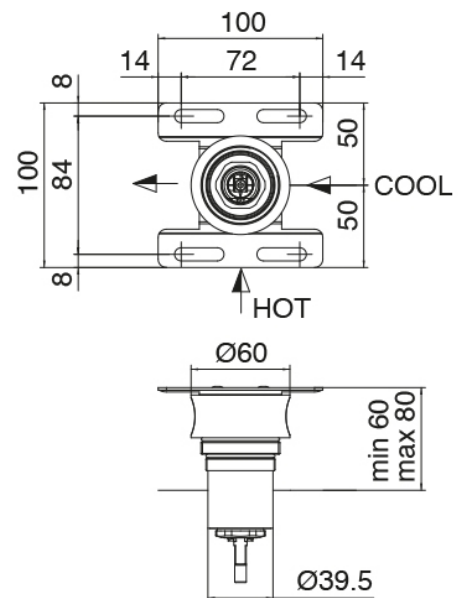
Componenti



Concealed part

Cod: 3300B402A00

Concealed shower mixer - concealed part

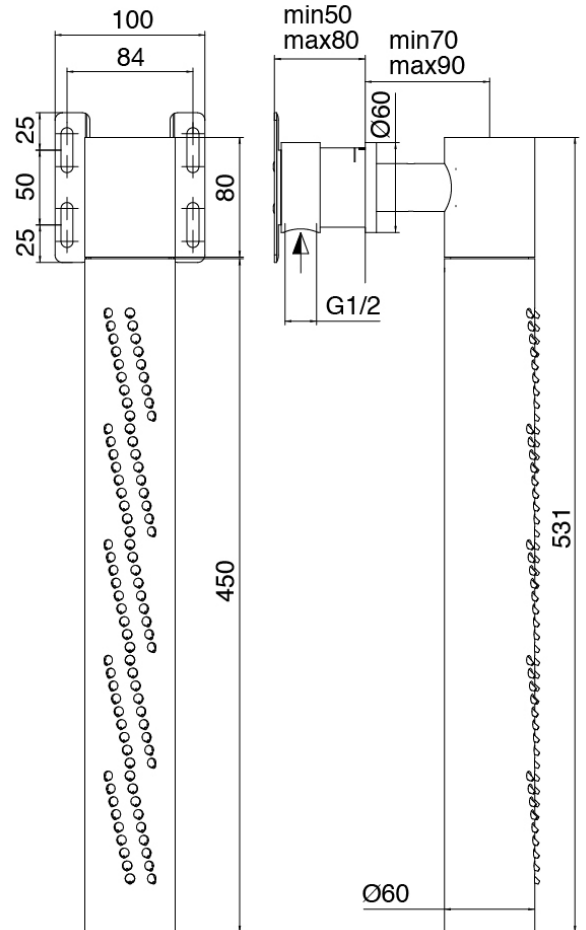
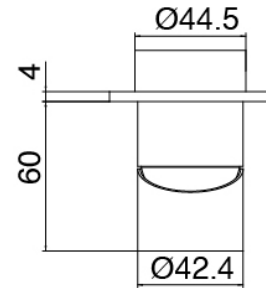
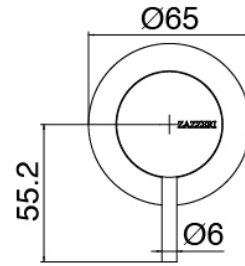




Single-lever mixer

Cod: 3300A402AA0

Concealed shower mixer - without plate - external part



Concealed part

Cod: 3300B120A00

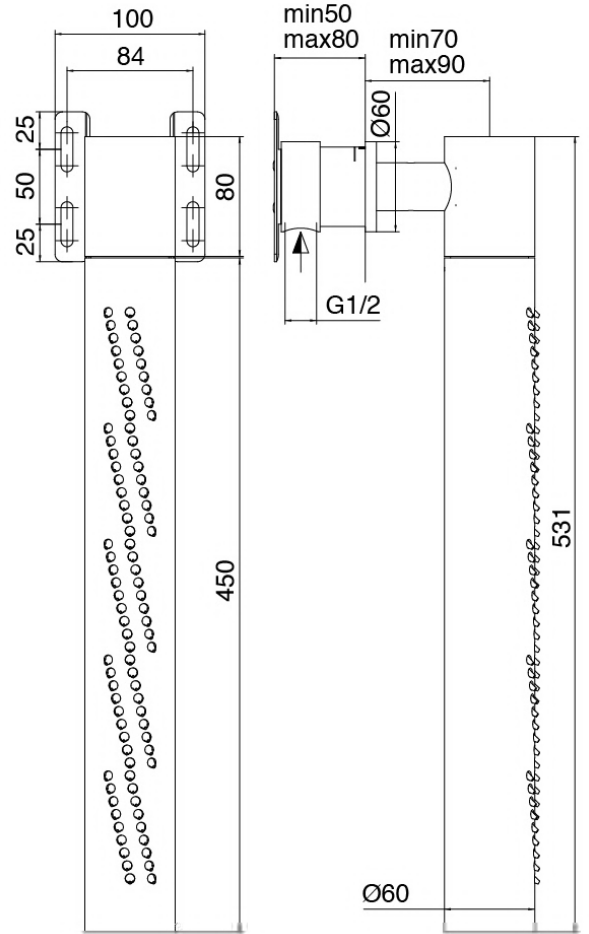
Vertical/Horizontal tubular wall-mounted showerhead - Built-in part



Revolving showerhead with Flyfall

Cod: 3300SO03A00

Vertical tubular revolving wall-mounted showerhead with Flyfall



Finiture disponibili:

finiture speciali su richiesta salvo quantitativi minimi di ordine garantiti



image not found or type unknown <http://zazzeri.tesecom.net/wp-content/uploads/2017/06/ASAS.jpg>

brush steel

ASAS