

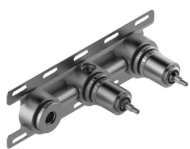


Modern - Shower arm with shower head and hand shower

Codice kit: 3300 DDI-120

Shower arm with shower head, hand shower and built-in mixer – 2 exits

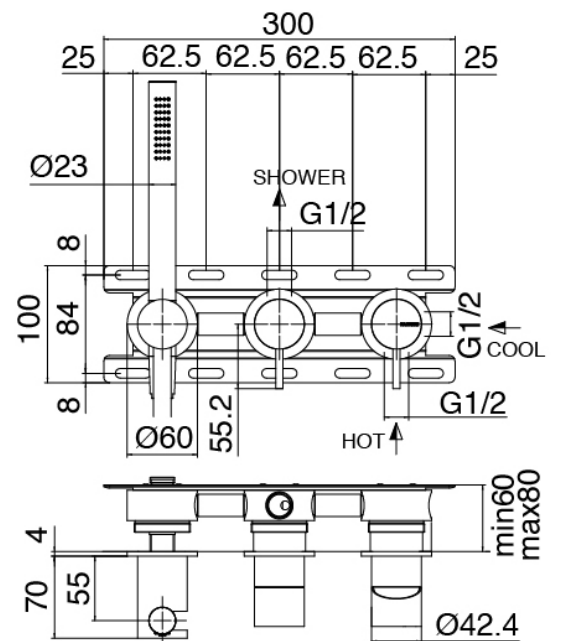
Componenti

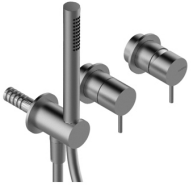


Concealed part

Cod: 3300B401A01

Concealed shower mixer with diverter and
Handshower - concealed part

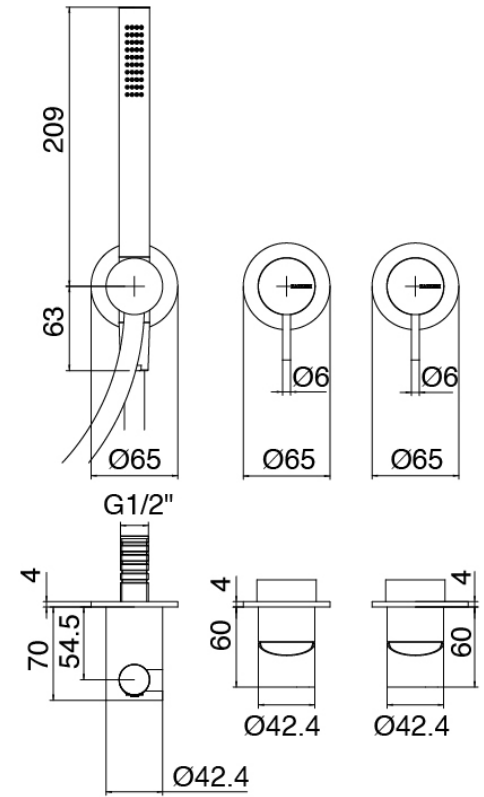




Single-lever mixer with handshower

Cod: 3300A401AA1

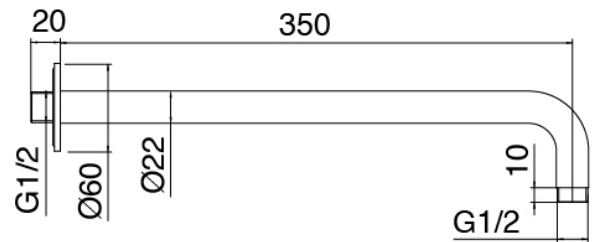
Concealed shower mixer with diverter and
Handshower - without plate - external part



Shower arm

Cod: 3300BR01A00

Shower arm

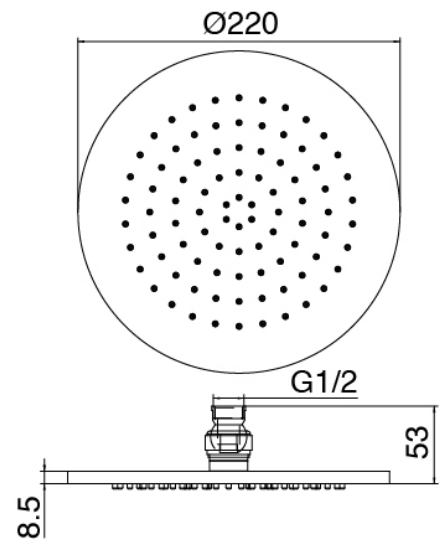




Shower head

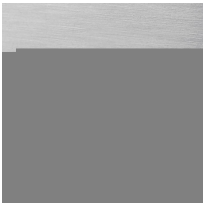
Cod: 3300SO01A00

Antilimescale showerhead -D.220 mm



Finiture disponibili:

finiture speciali su richiesta salvo quantitativi minimi di ordine garantiti



brush steel

ASAS