



image not found or type unknown http://zazzeri.tesa.com.net/us/wp-content/uploads/2017/04/b3daf2\_357a447007



## Q316 - Tumbler holder

Codice kit: 33A0 ACX-030

Tumbler holder

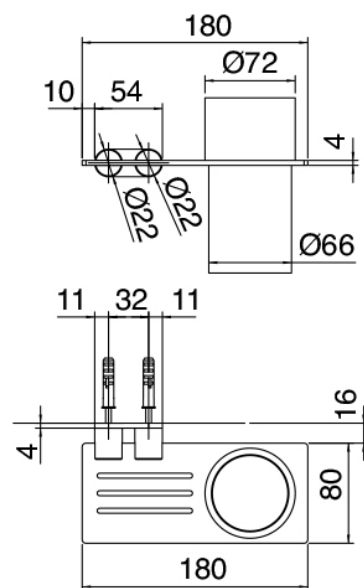
## Componenti



### Tumbler holder

Cod: 33A06200A00

Tumbler holder



## Finiture disponibili:

finiture speciali su richiesta salvo quantitativi minimi di ordine garantiti



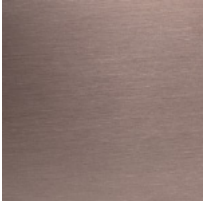
brush steel

ASAS



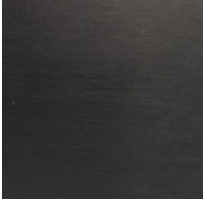
antracite

APAP



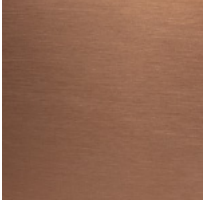
bronzorame

BPBP



carbon

KPKP



rame

RPRP



cognac

CPCP



orobianco

GPGP