

### Modern - Shower arm with shower head and hand shower

Codice kit: 3102 DDI-070

Shower arm with shower head, hand shower and built-in mixer – 2 exits

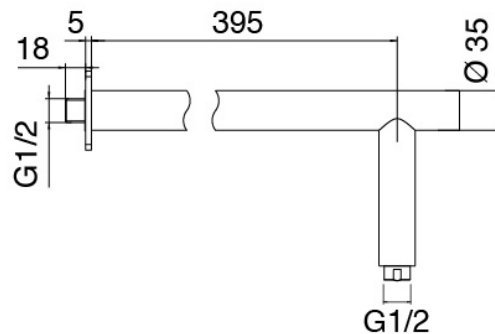
### Componenti



#### Wall-mounted arm

Cod: 3100BR01A00

Showerhead

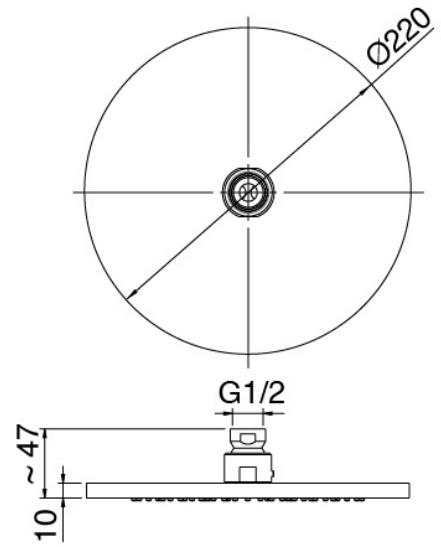




### Shower head

Cod: 2900SO07A00

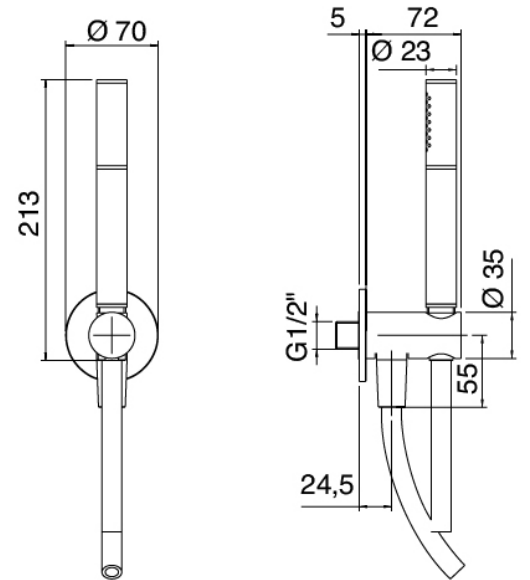
Antilimescale showerhead - D.220 mm - Inspectable



### Stand alone hand shower

Cod: 31000413A00

Handshower set with water outlet and round plate

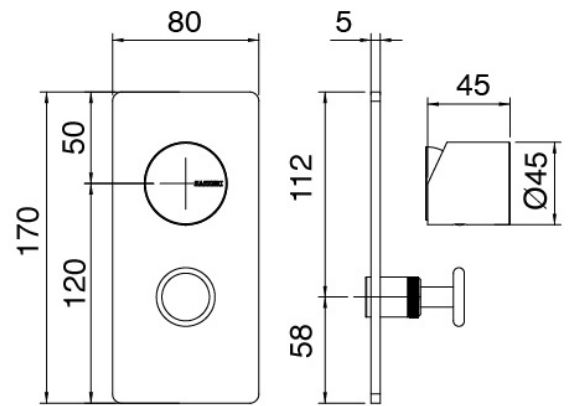




### Single-lever mixer

Cod: 3102A401A00

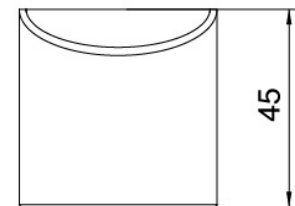
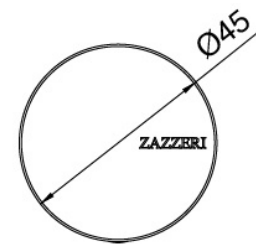
Concealed shower mixer with diverter - external part



### Lever

Cod: 3102MA02A00

Lever for built-in elements

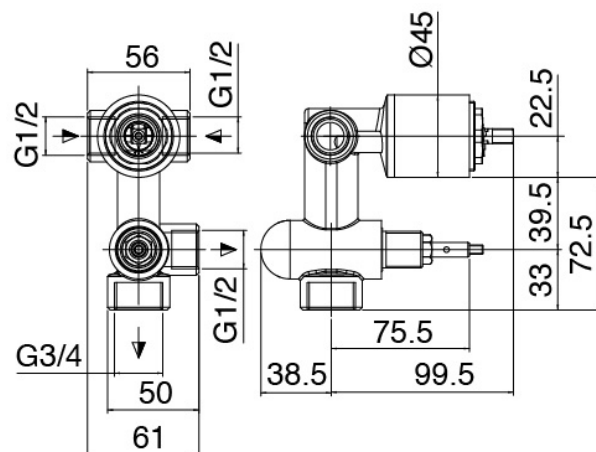




### Concealed part

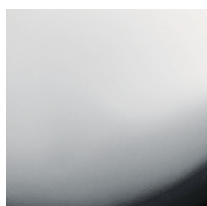
Cod: 2900A401A00

Concealed shower mixer with diverter - concealed part



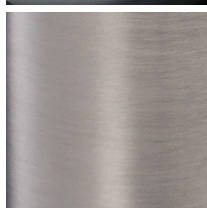
### Finiture disponibili:

finiture speciali su richiesta salvo quantitativi minimi di ordine garantiti



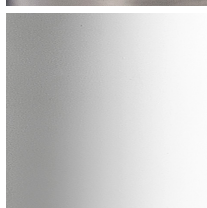
chrome finish

CRCR



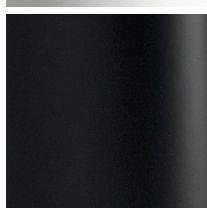
brushed steel

NFNF



white

1010



black

3131