

## Q316 - Showerhead with hand shower

---

Codice kit: 3400 DDI-090

Shower head SPOT (Q.ty 2), hand shower and built-in mixer – 2 exits

## Componenti

---

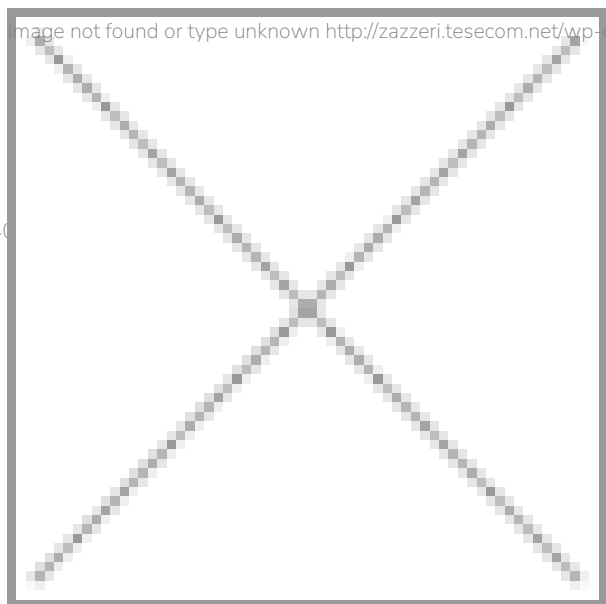


### **Shower head**

---

Cod: 3400SO01A00

Adjustable wall-mounted showerhead SPOT

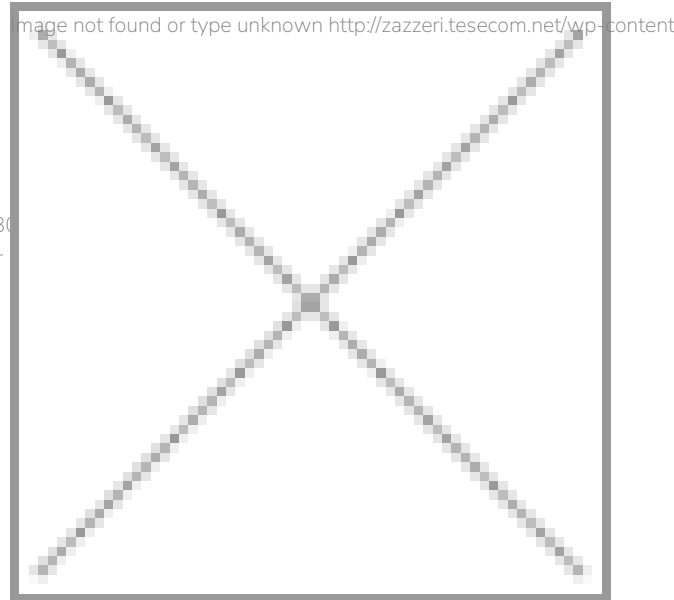




### Concealed part

Cod: 3300B401A01

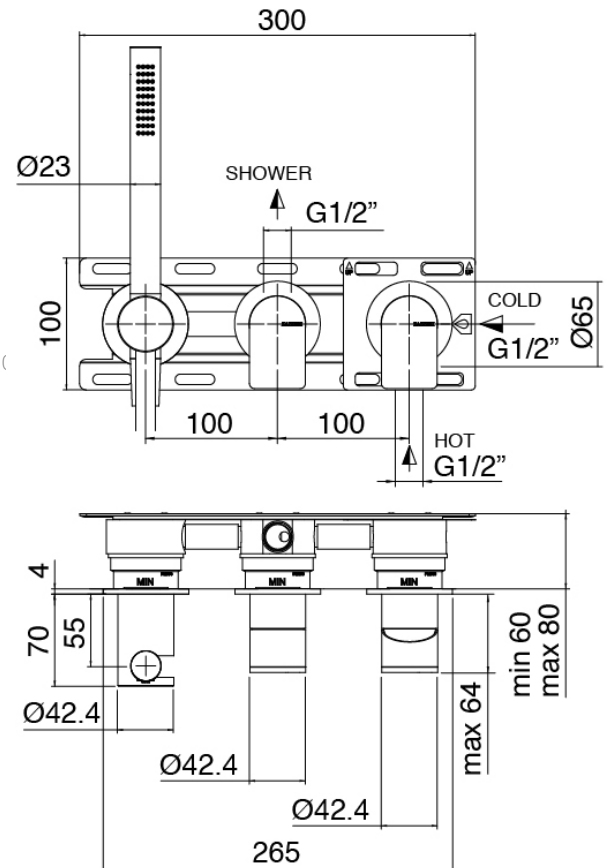
Concealed shower mixer with diverter and Handshower - concealed part



### Single-lever mixer with handshower

Cod: 3305A401AA1

Concealed shower mixer with diverter and Handshower - without plate - external part

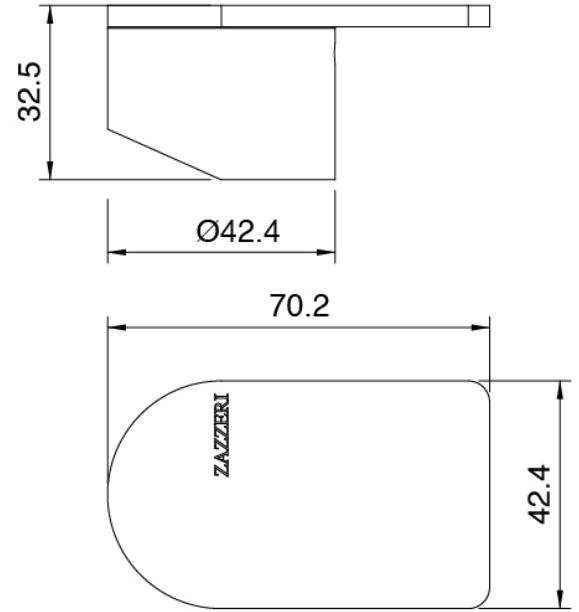




### Handle

Cod: 3400MA02A00

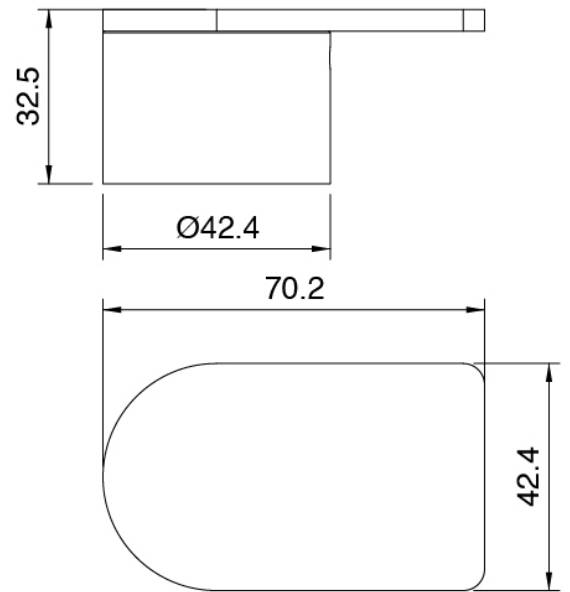
HANDLE MA02 Handle for built-in parts



### Handle

Cod: 3400MA04A00

HANDLE MA04 Handle for 2 ways diverter without stop



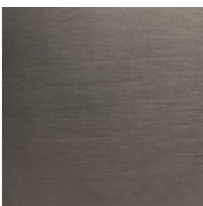
### Finiture disponibili:

finiture speciali su richiesta salvo quantitativi minimi di ordine garantiti



brush steel

ASAS



antracite

APAP



bronzorame

BPBP



carbon

KPKP



rame

RPRP



cognac

CPCP



orobianco

GP GP