



Modern - Wall-mounted bathtub set

Codice kit: 4702 GVP-070

Traditional wall-mounted bathtub set – 2 exits

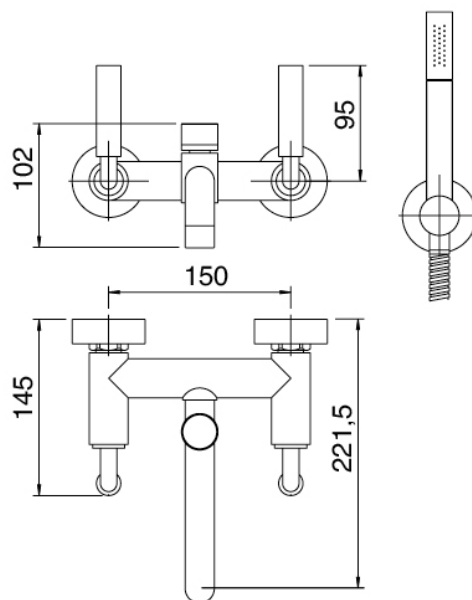
Componenti



Tap set with spout

Cod: 47020401A00

Wall mtd bathtub set



Finiture disponibili:

finiture speciali su richiesta salvo quantitativi minimi di ordine garantiti



chrome

CRCR



phosphorus nichel

NFNF



black

3131



white

1010