



900 - Sliding bar with hand shower

Codice kit: 2000 ADI-060

Sliding bar with hand shower and built-in mixer – 1 exit

Componenti



Sliding bar

Cod: 2000A414A00

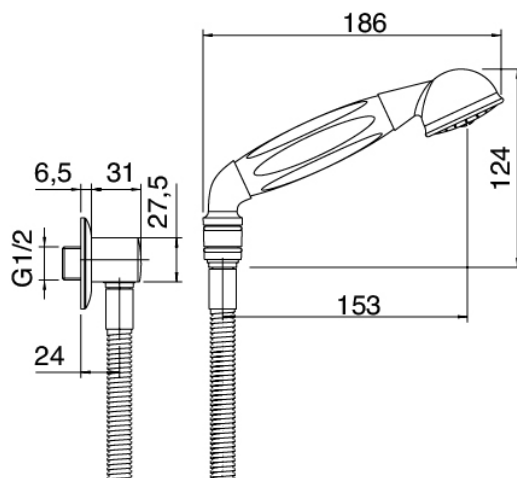
Sliding bar for hand shower



Hand shower

Cod: 2000Q417A00

Handshower set with water-outlet for sliding bar



Single-lever mixer

Cod: 5102B402A00

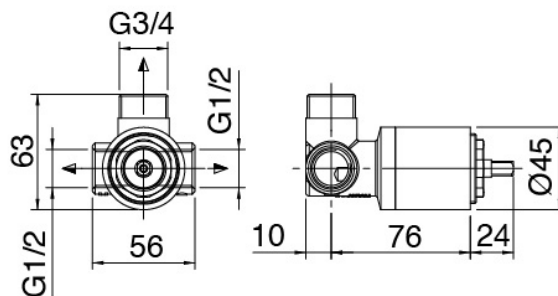
Concealed shower mixer - external part



Concealed part

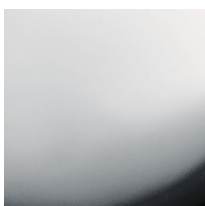
Cod: 2900A402A00

Concealed shower mixer - concealed part



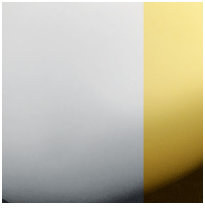
Finiture disponibili:

finiture speciali su richiesta salvo quantitativi minimi di ordine garantiti



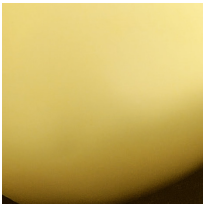
chrome

CRCR



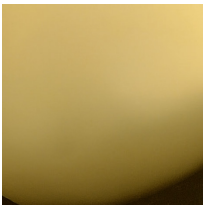
chrome-gold

CRLU



polished gold

LULU



polished brass

OLOL



burnished

BRBR