



Classic - Sliding bar with hand shower

Codice kit: 2000 ADI-140

Sliding bar with hand shower and built-in mixer – 1 exit

Componenti



Sliding bar

Cod: 2000A419A00

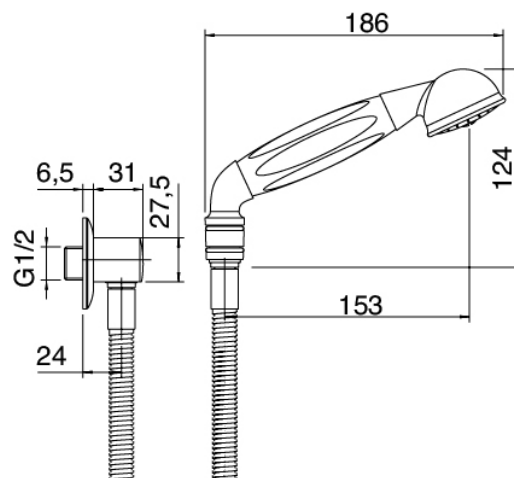
Sliding bar for hand shower



Hand shower

Cod: 2000Q417A00

Handshower set with water-outlet for sliding bar



Single-lever mixer

Cod: 2900B402A00

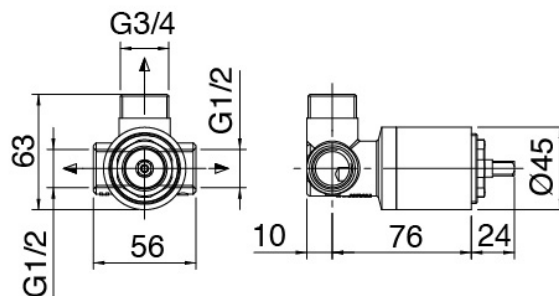
Concealed shower mixer - external part



Concealed part

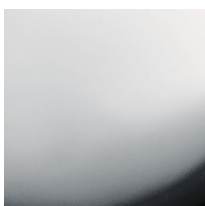
Cod: 2900A402A00

Concealed shower mixer - concealed part



Finiture disponibili:

finiture speciali su richiesta salvo quantitativi minimi di ordine garantiti



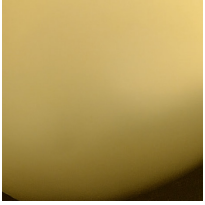
cromo

CRCR



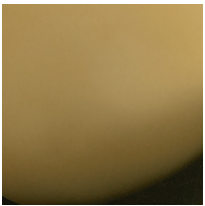
brunito

BRBR



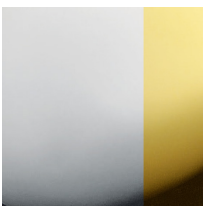
oro lucido

LULU



ottone lucido

OLOL



ottone naturale

ONON

cromo e oro lucido

CRLU