



Modern - Shower arm with shower head and hand shower

Codice kit: 3305 DDI-100

Shower arm with shower head, hand shower and built-in mixer – 2 exits



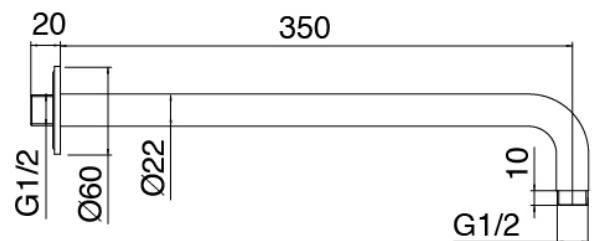
Componenti



Shower arm

Cod: 3300BR01A00

Shower arm

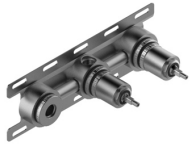
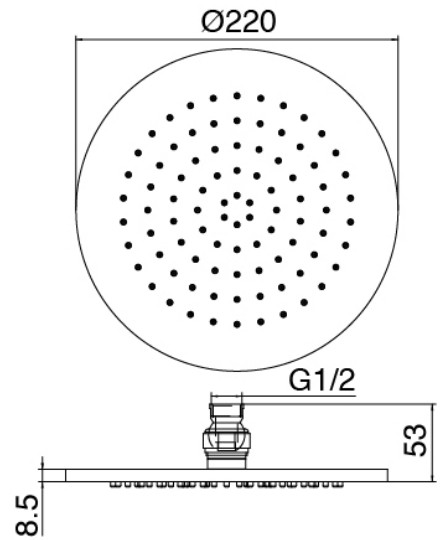




Shower head

Cod: 3300SO01A00

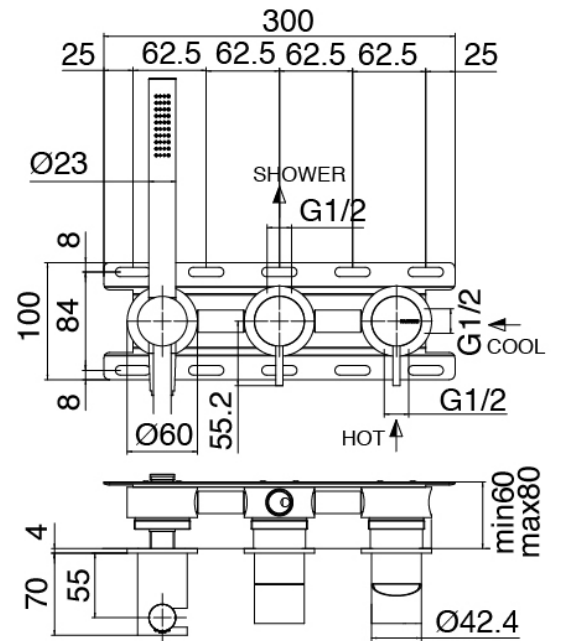
Antilimescale showerhead -D.220 mm



Concealed part

Cod: 3300B401A01

Concealed shower mixer with diverter and
Handshower - concealed part

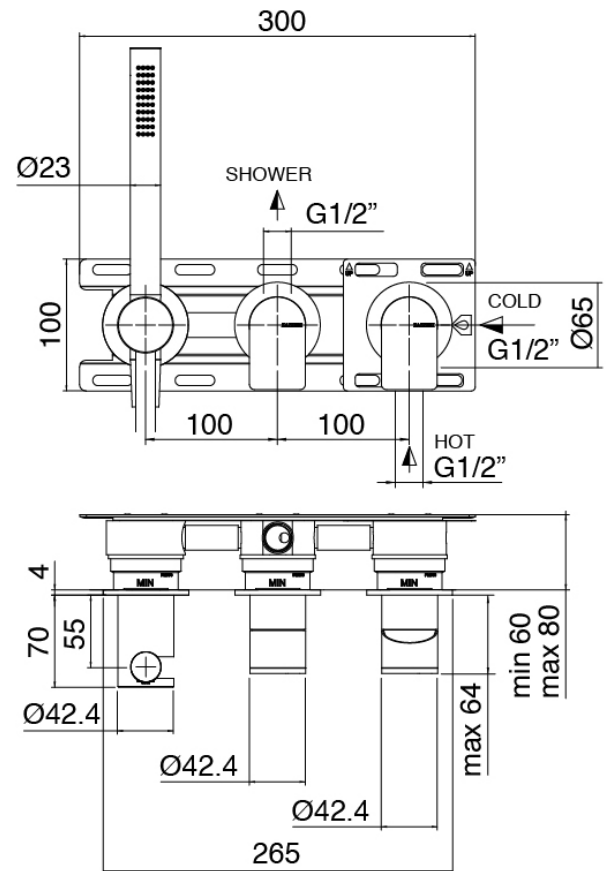




Single-lever mixer with handshower

Cod: 3305A401AA1

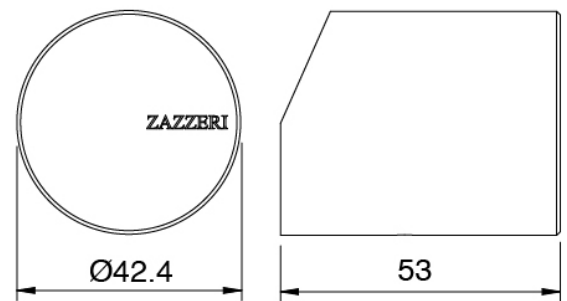
Concealed shower mixer with diverter and Handshower - without plate - external part



Handle

Cod: 3305MA02A00

HANDLE MA02 Handle for built-in parts

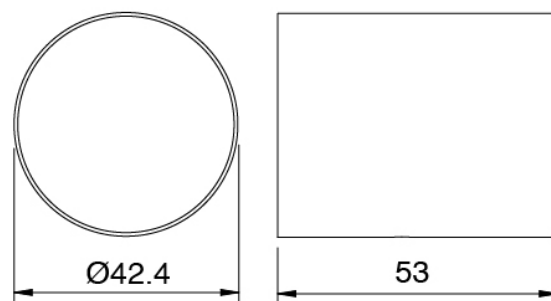




Handle

Cod: 3305MA04A00

HANDLE MA04 Handle for 2 ways diverter without stop



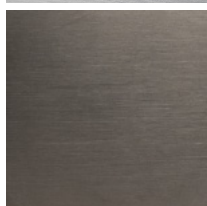
Finiture disponibili:

finiture speciali su richiesta salvo quantitativi minimi di ordine garantiti



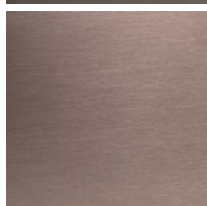
brush steel

ASAS



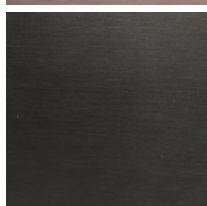
antracite

APAP



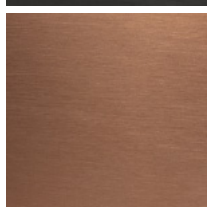
bronzorame

BPBP



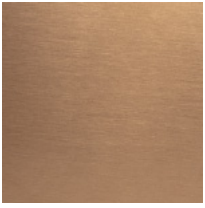
carbon

KPKP



rame

RPRP



cognac

CPCP



orobianco

GPGP