



Modern - Built-in shower set

Codice kit: 3300 UDI-140

2-way concealed thermostatic mixer with vertical tubular revolving showerhead with Flyfall and hand shower



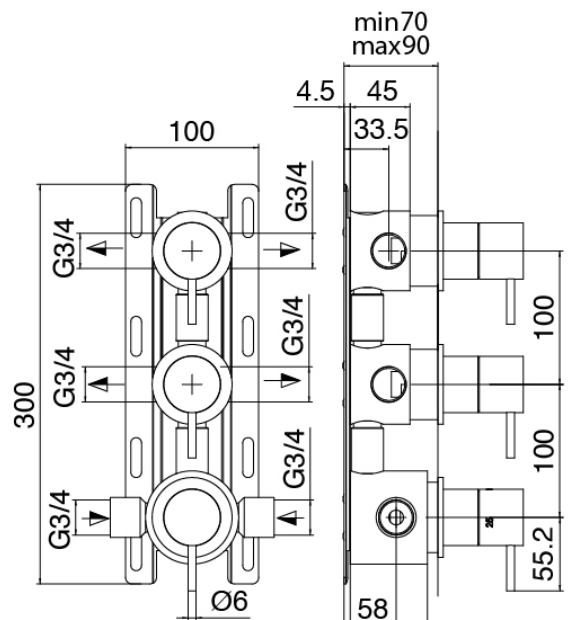
Componenti



Concealed part

Cod: 33000802A00

2-way concealed thermostatic mixer - concealed parts

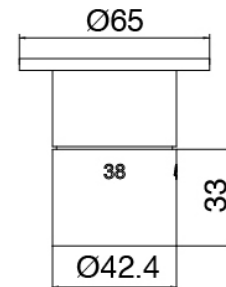
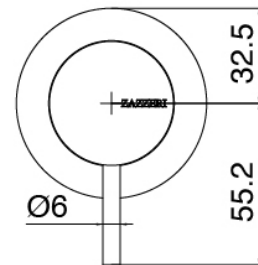
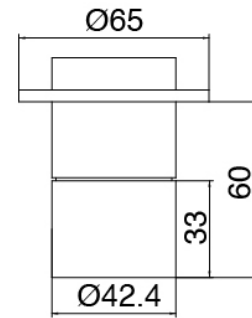
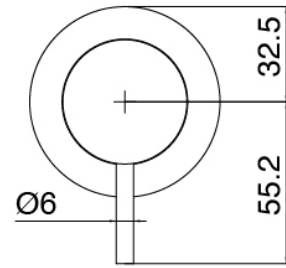




In-line concealed valves

Cod: 3300Y407AA0

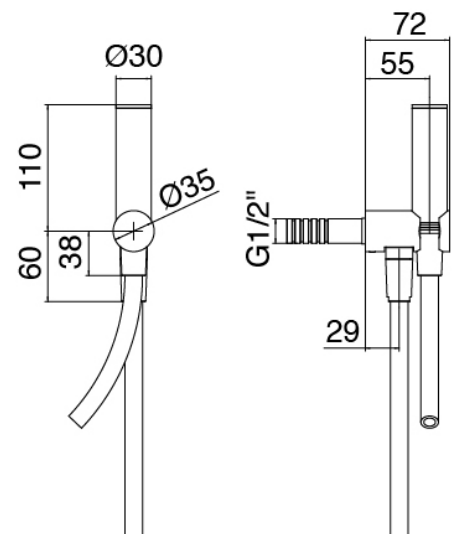
In-line concealed valves - external parts



Thermostatic control

Cod: 3300T550AA0

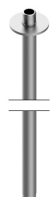
Concealed thermostatic mixer - external parts



Handshower stand alone

Cod: 3300Q419A04

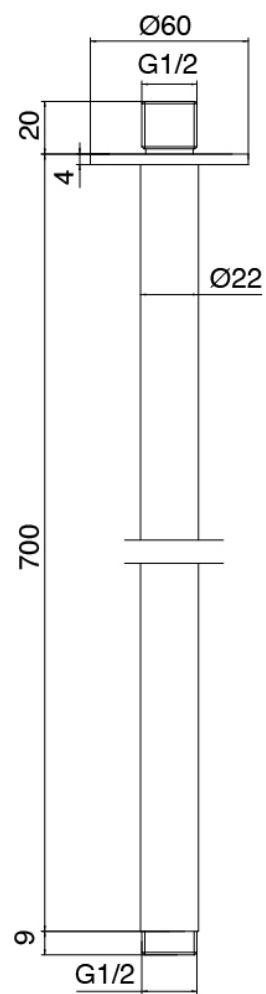
Handshower set, with Diam. 30mm handshower, water outlet and support



Ceiling-mounted shower head

Cod: 3300T623A00

Ceiling-mounted shower head - 700mm

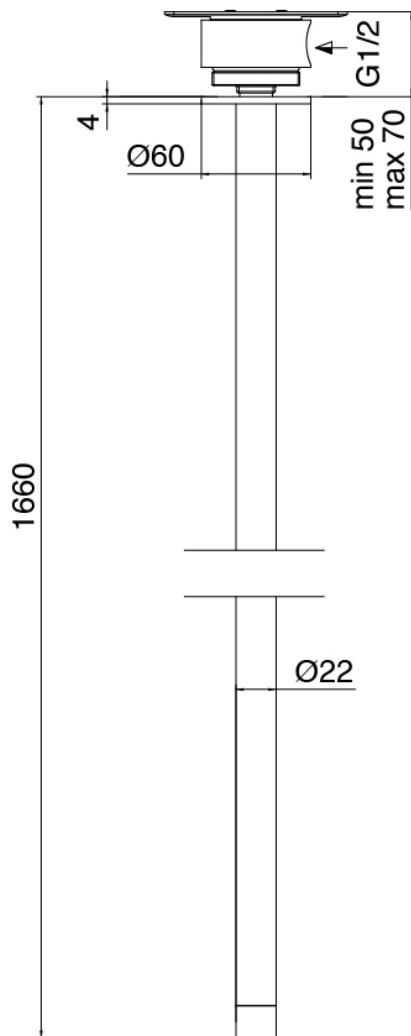




Concealed part

Cod: 3300B110A00

Ceiling-mounted - concealed part

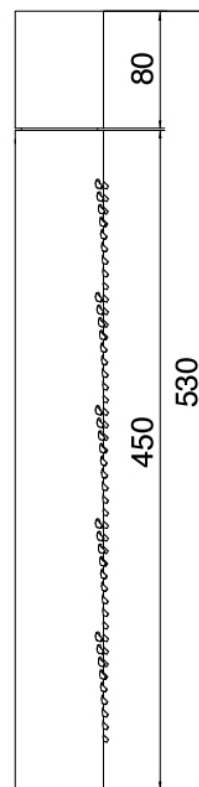
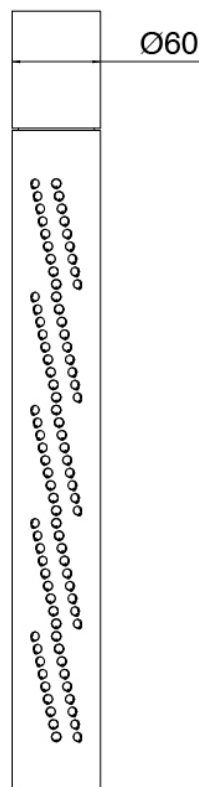




Revolving showerhead with Flyfall

Cod: 3300SO05A00

Ceiling-mounted revolving tubular showerhead with Flyfall



Finiture disponibili:

finiture speciali su richiesta salvo quantitativi minimi di ordine garantiti



brush steel

ASAS