



Modern - Built-in thermostatic shower set

Codice kit: 3405 UDI-150

Concealed thermostatic shower mixer – 4 exits with showerhead SPOT (Q.ty 2)
and handshower (Q.ty 2)



Componenti



Handshower set

Cod: 3305Q419A00

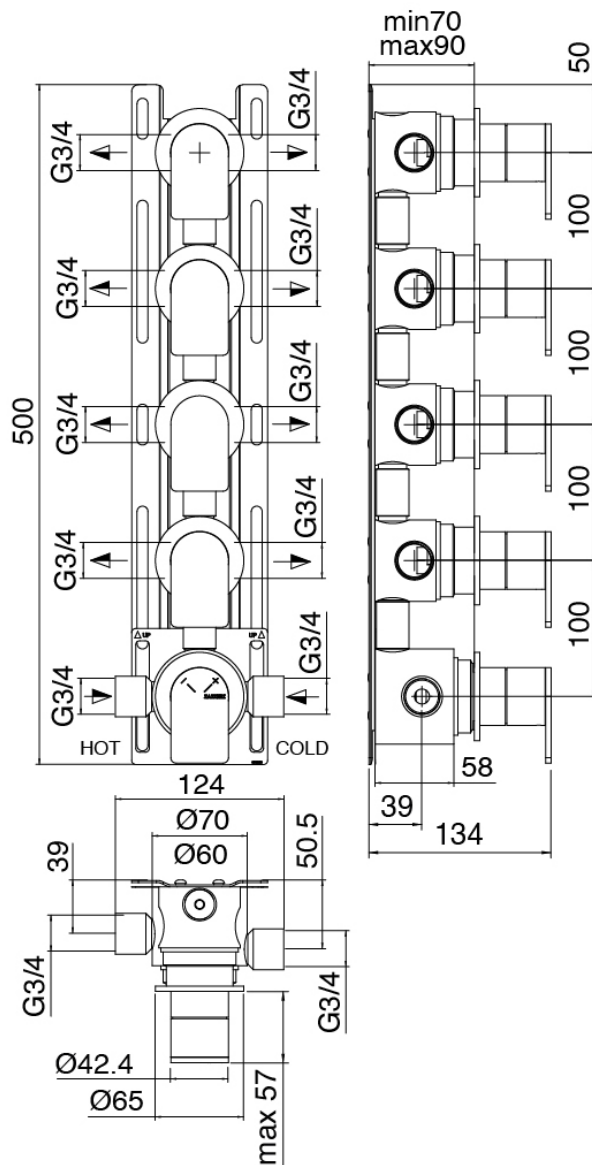
Handshower set with handshower - water outlet and
holder



Concealed part

Cod: 33000804A00

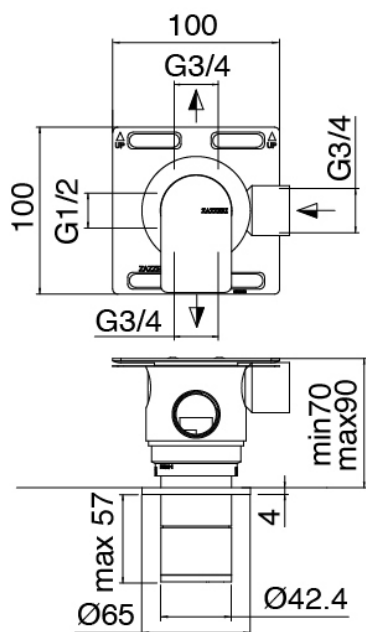
4-way concealed thermostatic mixer - concealed parts



In-line concealed valves

Cod: 3305Y407AA0

In-line concealed valves - external parts

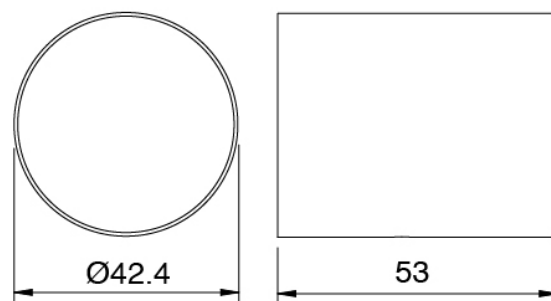




Handle

Cod: 3305MA05A00

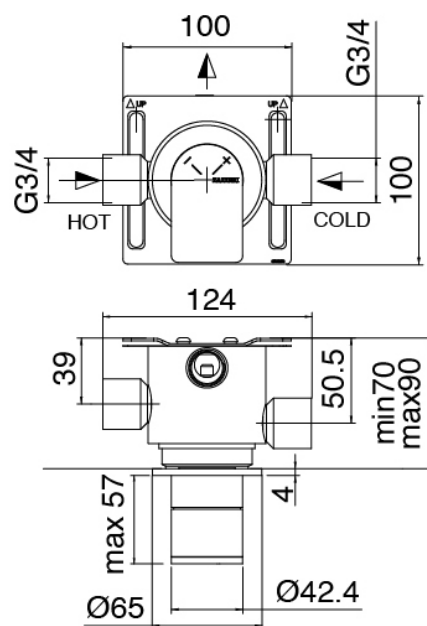
HANDLE MA05 Handle for 2/3 ways diverter/valve



Thermostatic control

Cod: 3305T550AA0

Concealed thermostatic mixer - external parts

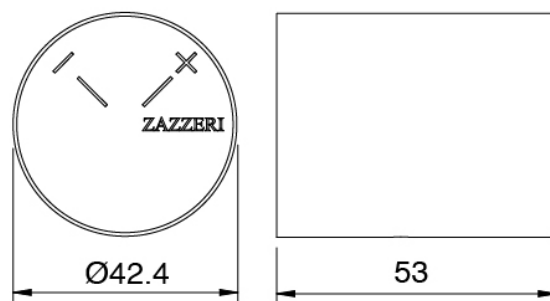




Handle

Cod: 3305MA06A00

HANDLE MA06 Handle for thermostatic unit



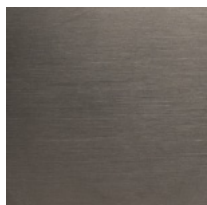
Finiture disponibili:

finiture speciali su richiesta salvo quantitativi minimi di ordine garantiti



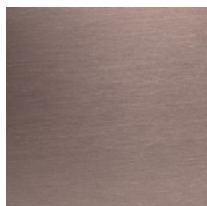
brush steel

ASAS



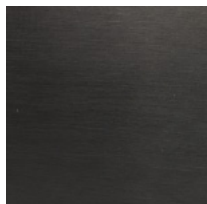
antracite

APAP



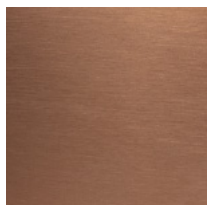
bronzorame

BPBP



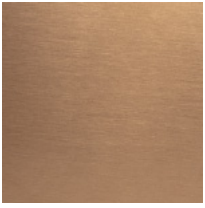
carbon

KPKP



rame

RPRP



cognac

CPCP



orobianco

GPGP