



## Modern - Sliding bar with hand shower

Codice kit: 3900 ADI-080

Sliding bar with hand shower and built-in mixer – 1 exit

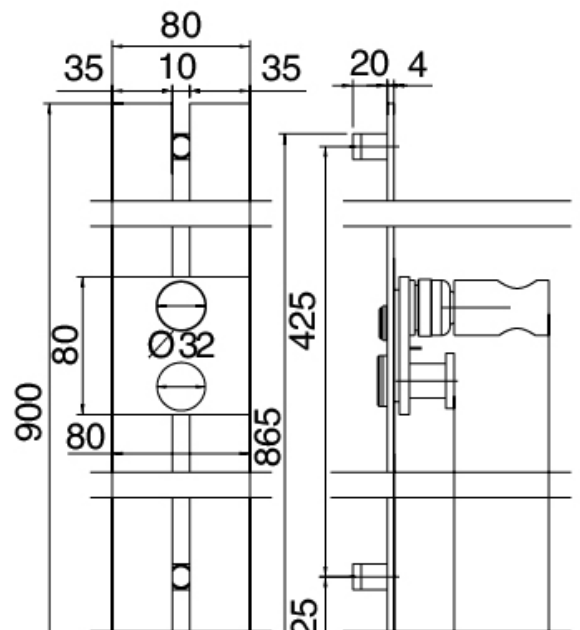
## Componenti



### Sliding bar

Cod: 3900A417A00

Sliding bar

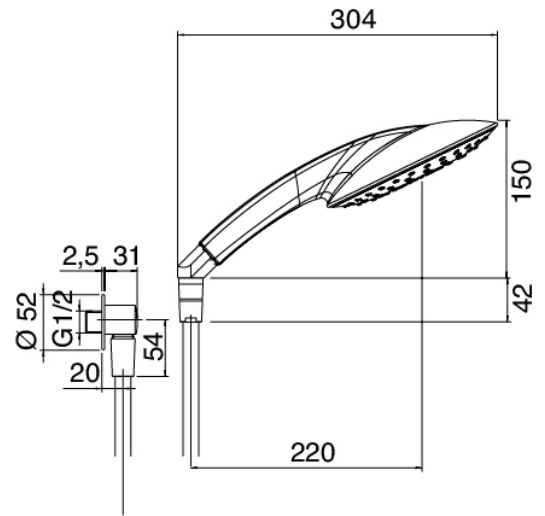




### Hand shower

Cod: 3900E417A00

Anti-limescale multifunctional shower



### Single-lever mixer

Cod: 3901B402A00

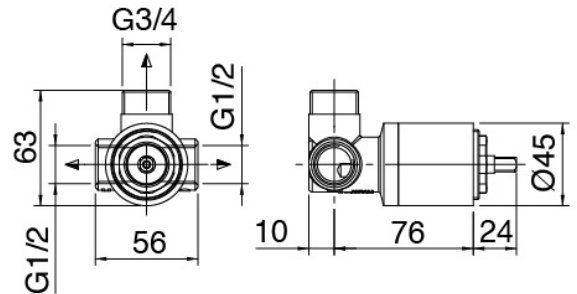
Concealed shower mixer - external part



### Concealed part

Cod: 2900A402A00

Concealed shower mixer - concealed part



### Finiture disponibili:

finiture speciali su richiesta salvo quantitativi minimi di ordine garantiti



cromo

CRCR