



## Modern - Shower arm with shower head and hand shower

Codice kit: 3901 DDI-060

Shower arm with shower head, hand shower and built-in mixer – 2 exits

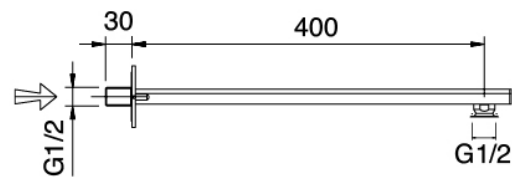
## Componenti



### Wall-mounted arm

Cod: 3900BR01A00

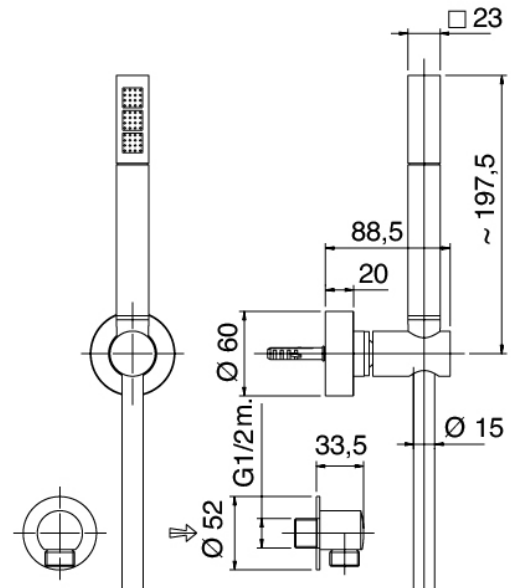
Showerhead - Moon





### Stand alone hand shower

Cod: 39000414A00  
Shower set complete



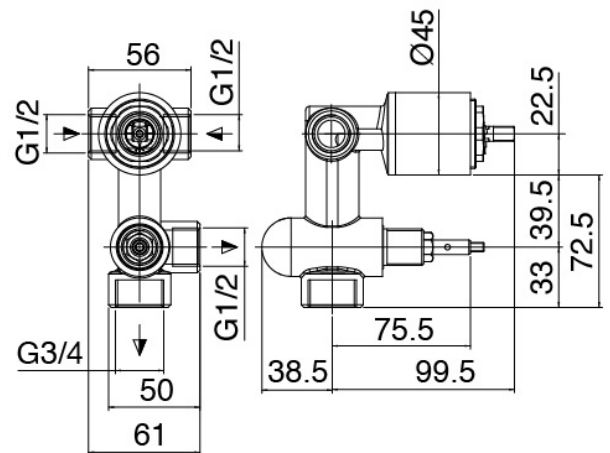
### Single-lever mixer

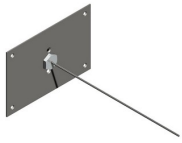
Cod: 3901B401A00  
Concealed shower mixer with diverter - external part



### Concealed part

Cod: 2900A401A00  
Concealed shower mixer with diverter - concealed part

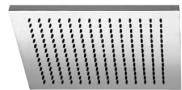
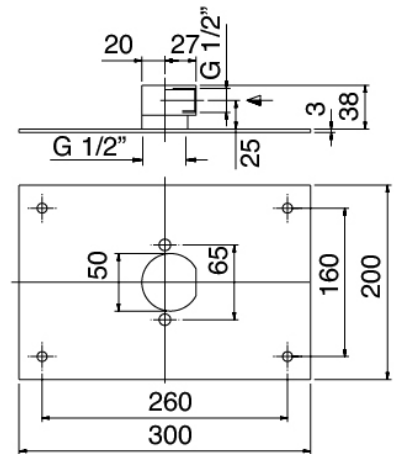




### Fixing plate

Cod: 2900B108A00

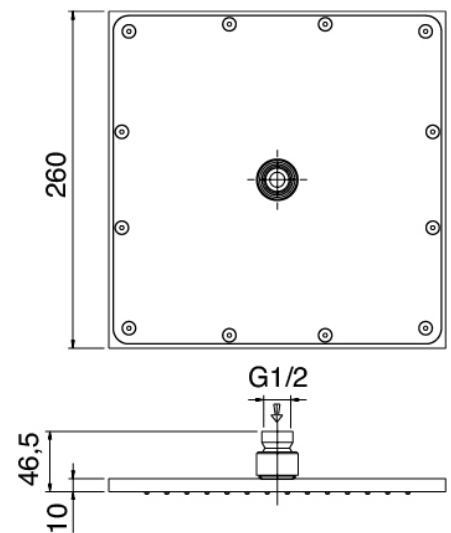
Fixing plate for ceiling and wall mtd. shower arm



### Shower head

Cod: 2900SO05A00

Squared anti-limescale shower head 260 X 260mm -  
INSPECTABLE



### Finiture disponibili:

finiture speciali su richiesta salvo quantitativi minimi di ordine garantiti



cromo

CRCR