

### Modern - Column-mounted single lever washbasin mixer

Codice kit: 2702 MLT-030

Column-mounted washbasin spout

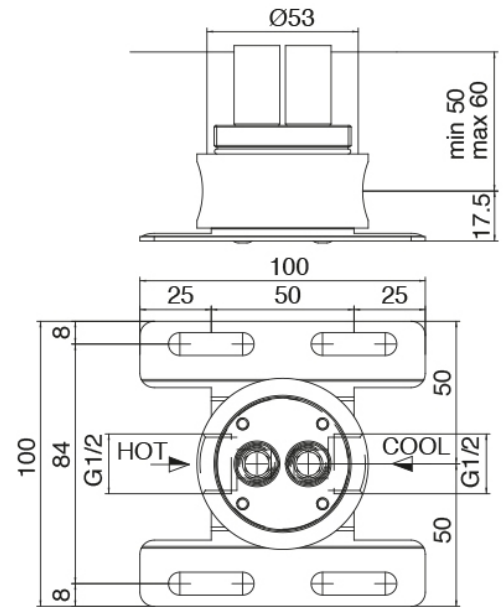
### Componenti



### Concealed part

Cod: 3300B100A00

Column-mounted washbasin/bath spout - concealed part

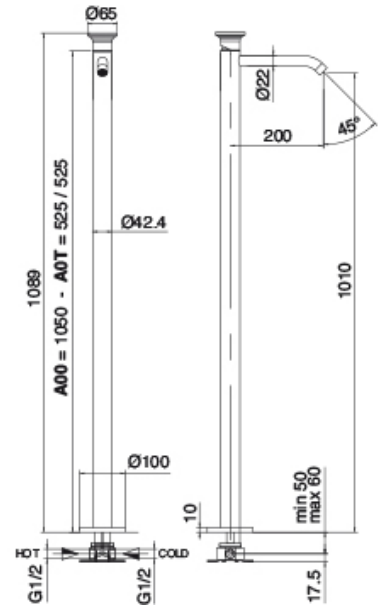




### Single-lever mixer

Cod: 2702T100A00

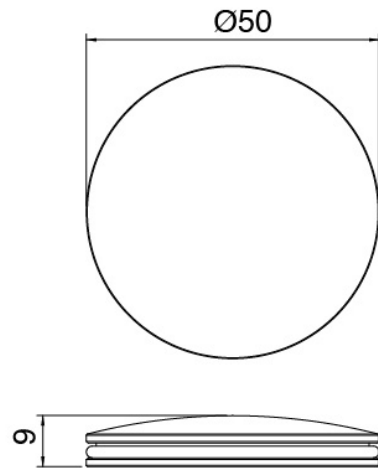
Column-mounted washbasin spout - L200 x H1010  
mm



### Disk handle

Cod: 2700PA02A00

Disk handle for built-in elements



### Finiture disponibili:

finiture speciali su richiesta salvo quantitativi minimi di ordine garantiti



brush steel

ASAS



antracite

APAP



bronzorame

BPBP



carbon

KPKP



rame

RPRP



cognac

CPCP



orobianco

GP GP