



## Modern - Shower arm with shower head and hand shower

Codice kit: 2700 DDI-090

Shower arm with shower head, hand shower and built-in mixer – 2 exits

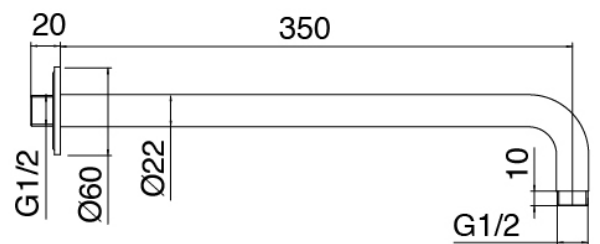
## Componenti



### Shower arm

Cod: 3300BR01A00

Shower arm

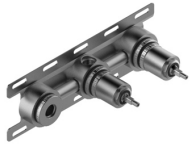
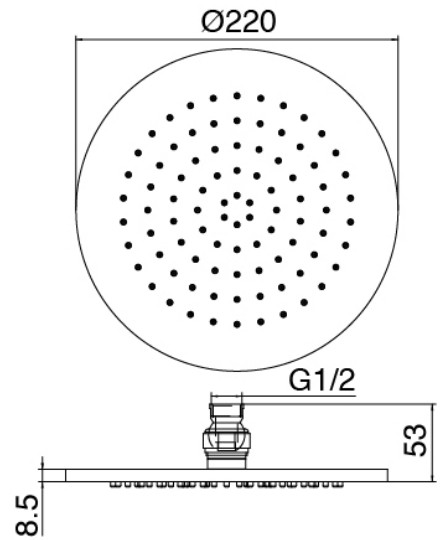




### Shower head

Cod: 3300SO01A00

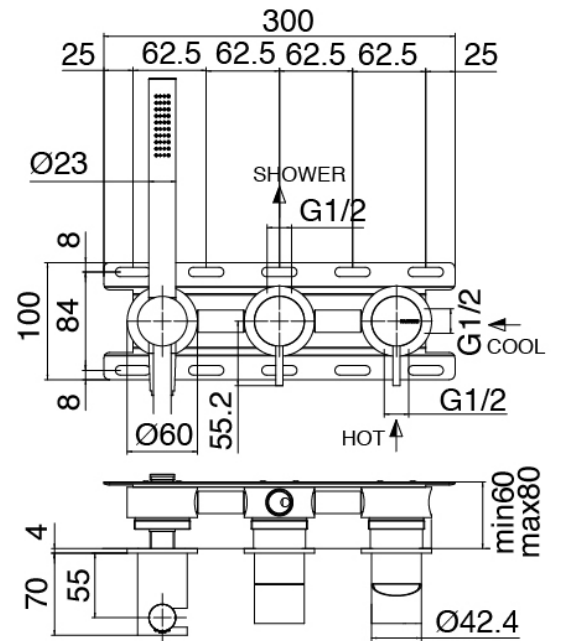
Antilimescale showerhead -D.220 mm



### Concealed part

Cod: 3300B401A01

Concealed shower mixer with diverter and  
Handshower - concealed part

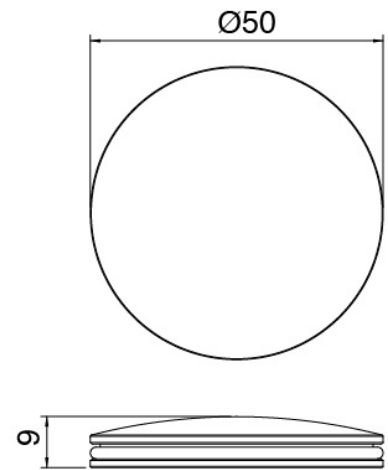




### Disk handle

Cod: 2700PA02A00

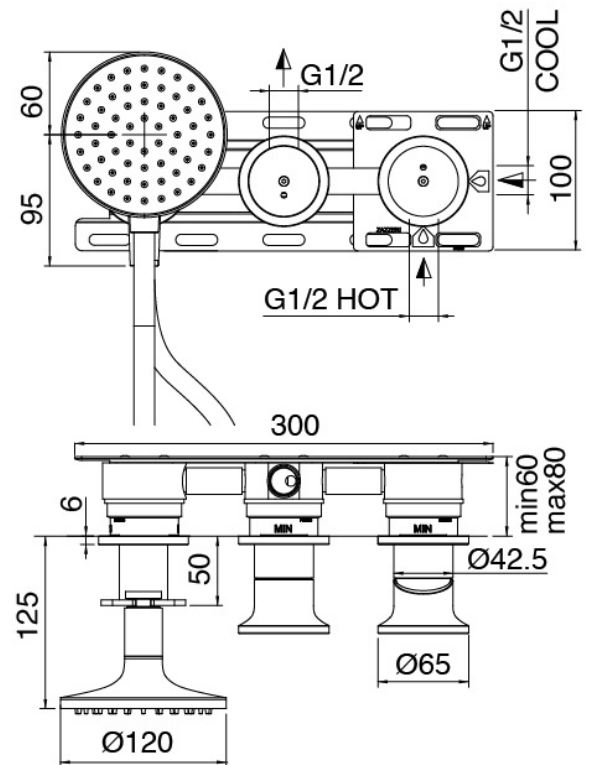
Disk handle for built-in elements



### Single-lever mixer with handshower

Cod: 2700A401AA2

Concealed shower mixer with diverter and Handshower JK21 - Diam. 120mm - external part



### Finiture disponibili:

finiture speciali su richiesta salvo quantitativi minimi di ordine garantiti



brush steel

ASAS